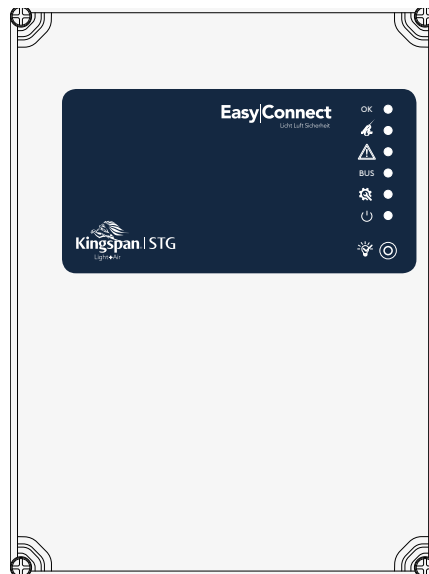


Easy|Connect NEW

FLEXIBLE, POWERFUL, COMPACT
CONTROL PANEL FOR SHEV AND VENTILATION



NEW COMPACT PANEL

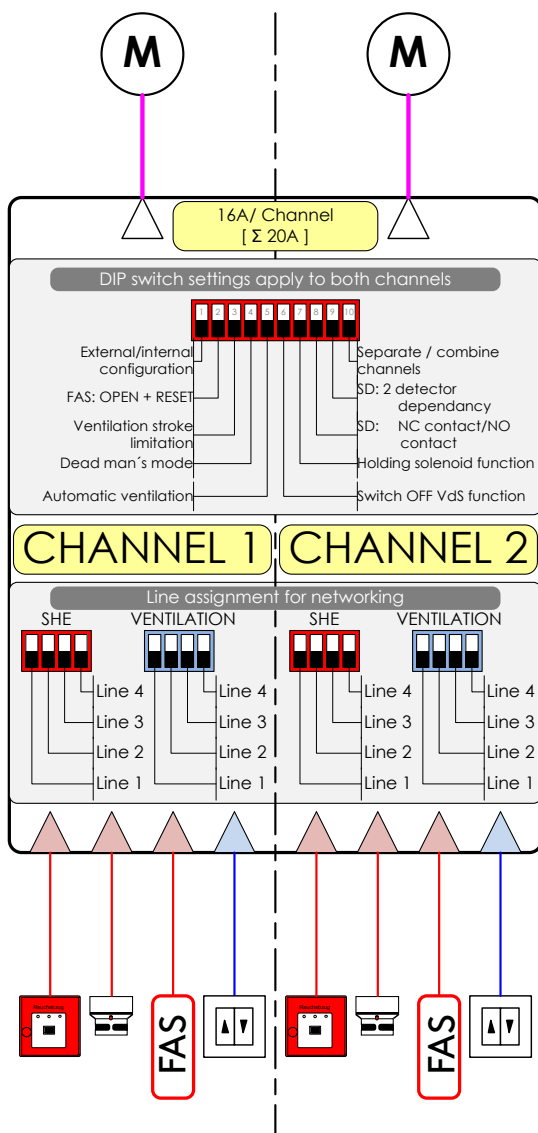
EasyConnect FOR SHEVS AND VENTILATION

CONNECTABLE SHEV CONTROL PANEL WITH 20 A

With its compact design and high current output of 20 amps, our EasyConnect is the universal solution for complex requirements. It is suitable, for example, for industrial construction where pneumatic systems are frequently used for smoke extraction. However, these are usually unsuitable for ventilation applications, since the smoke extraction dampers are opened by means of special CO₂ cartridges, which have to be replaced after activation. However, since ventilation aspects, i.e. OPEN and CLOSE operation, are playing an increasingly important role, more and more electric motor-driven systems are being used, which can be used for both ventilation and smoke extraction.

Our EasyConnect is ideal for these applications because it has two separate ducts, each of which can be assigned to one of 4 SHEV lines or one of 12 ventilation lines. If required, both ducts can be combined into one. In this case, both input groups and both motor lines work together.

The total current output is 20 A - max. 16 A per motor circuit - can be used separately or connected together (setting via integrated DIP switches). The EasyConnect networks 26 control panels via a bus expansion card. With the bus expansion card, the two channels can be assigned to 4 SHE and 4 ventilation groups via DIP switches.



The integrated logic block connects the existing inputs to the relay outputs via simple logic functions.

Quick and Easy setup of functions with DIP switches. This applies to both channels.

SPECIAL FEATURES

- 2 channels, separate and interconnected usable
- 2-wire motor circuit monitoring (only two wires, which are monitored for short circuit, earth fault and interruption)
- Separate voltage output, 24 V /4 A (10 s), e.g. for door opener
- Logic block, connects three binary and one analog input via logic functions [AND, OR, NOT] with the 3 relay outputs
- SHE CLOSED on release
- Outputs can be delayed separately in OPEN and CLOSE direction, for SHEV and ventilation
- Adjustable pole reversal times
- Ventilation stroke limiter, separate for each exit
- Ventilation switch configurable with position setting (0...100 %, over time)
- Uniquely configurable stroke for overturning skylight domes

APPLICATIONS / FEATURES

To connect:

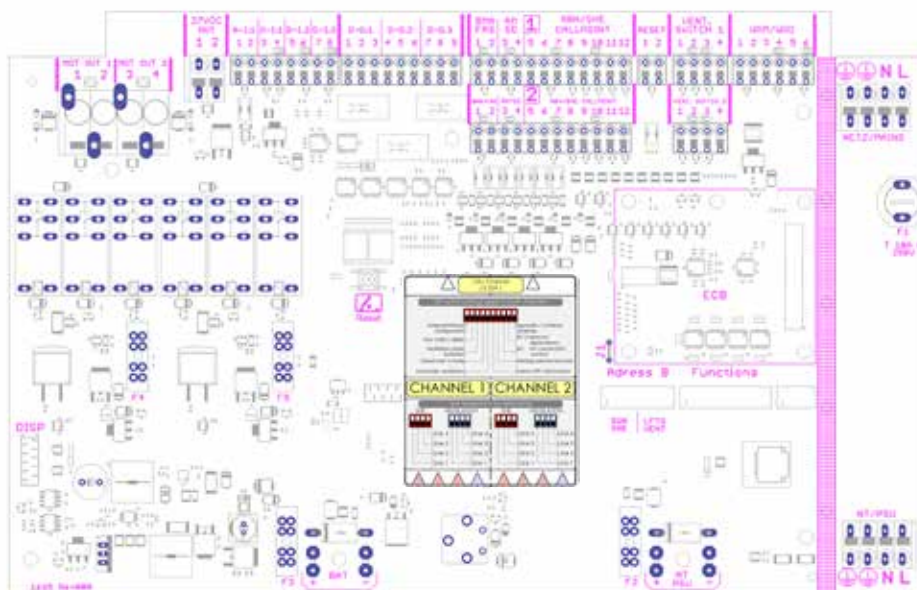
- 24 V DC units for SHEVS and ventilation
- SHE control panels
- Automatic detectors
- Fire alarm systems
- Ventilation switches
- Wind/rain detectors
- 3 x freely configurable relay outputs (standard assignment: trip | fault | operation)
- 3 x digital inputs
- 1 x analog input 4-20 mA
- 1 x separate voltage output 24 V, short time 4 A, e.g. for door opener

Further Features

- 6 displays on the front panel (operation, tripping, fault, maintenance, 230 V, Bus)
- Basic configurations can be set without PC-Tool via integrated DIP switches
- Extended setting options via the service port interface and optional PC software
- Battery-supported function maintenance over 72 hours

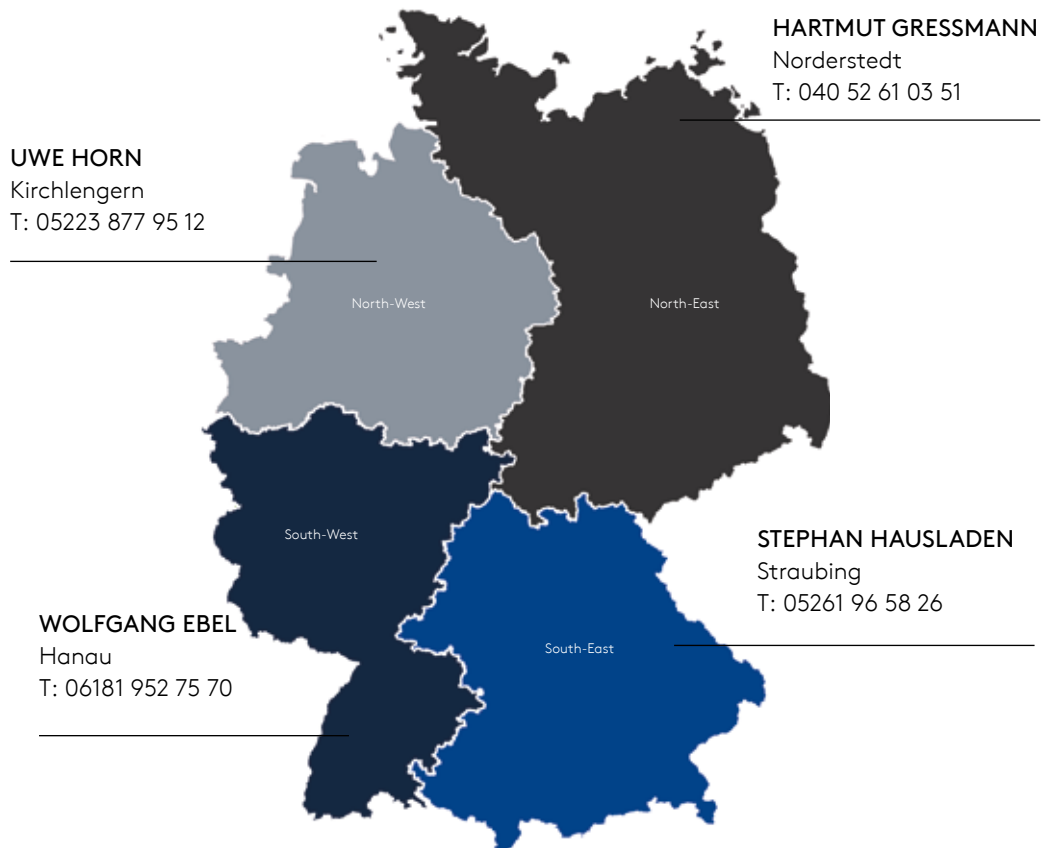
Monitoring Functions:

- Line monitoring of detector circuits (automatic detectors, FAS, SHEV control panel)
- Line monitoring of the motor circuits in 2-wire technology (short circuit, earth fault and interruption)
- Line monitoring for earth fault
- Mains and battery monitoring
- Error message in the control panel and at the SHEV control points
- Transmission of fault message via relay outputs (changeover contacts)
- Error indication via internal 7-segment display



WHO TO CONTACT IN GERMANY

PROFESSIONAL ADVICE FROM STG-BEIKIRCH'S SALES REPRESENTATIVES TEAM



Germany

Kingspan Light + Air
STG-Beikirch GmbH & Co. KG
Trifte 89
32657 Lemgo
Germany

T: +49 (0) 5261 96 58 0
F: +49 (0) 5261 96 58 66
E: info@stg-beikirch.de

www.stg-beikirch.de
www.kingspanlightandair.com